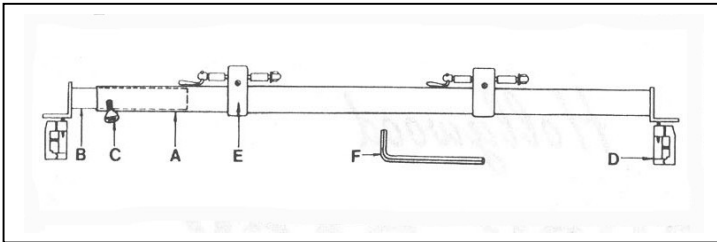
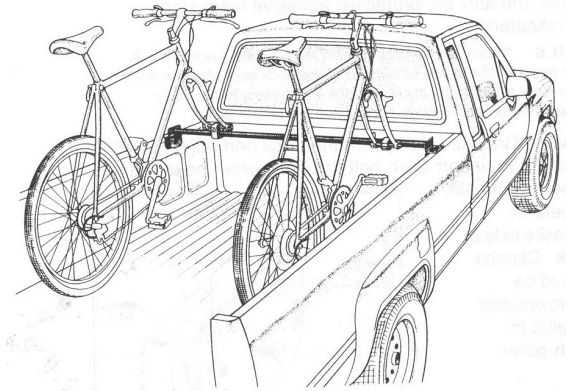


Hollywood T900 Truck Rack

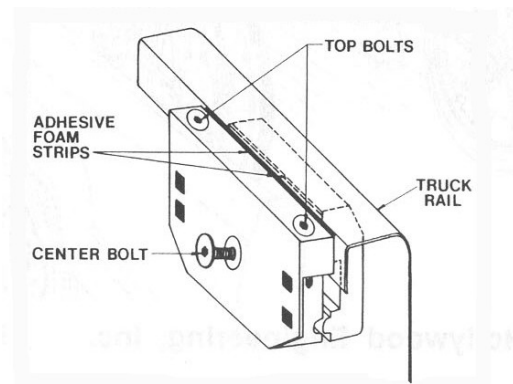
Installation Instructions

- Easy to install – No holes to drill
- Features patented Grip Rite clamps to securely attach the rack to the side rails of the truck bed.
- Fits both mini and full sized trucks.
- Includes quick release bike “fork mounts” for two bikes.



Parts List

Item	Description	Quantity
A	Outer load bar	1
B	telescoping inner load bar	1
C	Thumbscrew	1
D	Grip Rite clamp	2
E	Quick-release fork mounts	2
F	Allen wrench	1



Installation Instructions

Attaching Grip Rite Clamps to truck bed.

Open poly bag containing Grip Rite clamps and Allen wrench. Using the Allen wrench, separate the two clamp halves and affix the protective adhesive foam strips as indicated.

RAILS “Rails” are the upper part of the truck bed side-wall that rolls over to either the inside or the outside of the truck bed. All new and late model trucks have inner rails, while many of the older Datsun/Nissan and Toyota trucks have outer rails.

Position Grip Rite clamps on the truck bed rail 6” to 12” behind the cab. Insert Allen bolt through center hole and loosely assemble. Repeat for opposite side of truck. Clamps should be approximately parallel to each other.

Attaching Load Bar to Clamps

Loosen thumbscrew and adjust length of the load bar to fit over top holes of the Grip Rite clamps.

Note: Trucks with inner rails must use inside holes of the angle bracket, trucks with outer rails must use outside holes of angle bracket.

Remove and re-insert top bolts through proper angle bracket holes and into Grip Rite clamps as indicated. The angle brackets must be resting on top of the truck bed side wall (bottom of angle brackets are padded). Tighten top AND center bolts securely using the Allen wrench provided.

(3) Attaching Bicycles to Load Bar

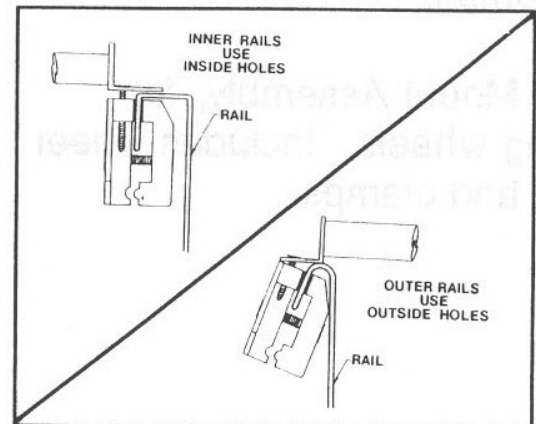
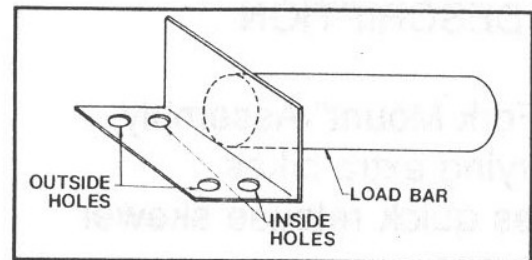
Position ford mounts approximately 12" inside truck bed side walls in upright position. Tighten bolts securely

using Allen wrench provided.

Remove front wheel from bicycle and place front fork mount onto fork mount axle. Adjust and tighten quick release skewer. Optional front wheel holders (part #916) are available.

(4) Removing Rack from Truck

The rack can be removed with either the Grip-Rite clamps remaining attached to the truck bed (simply remove top bolts), or with the clamps remaining attached to the rack (remove center bolts).



Limited Lifetime Warranty (effective January 1, 2008):

Hollywood Racks will warrant its car racks and accessories during the time that an original retail purchaser owns the product subject to the exclusions and limitations of this warranty. Hollywood Racks will remedy defects in materials and workmanship by repairing or replacing (at its option) a defective part or the complete rack without charge for labor or parts. Hollywood Racks may elect (at its option) to issue a refund equal to the purchase price paid for the product.

This warranty does not cover problems caused by normal wear and tear including (but not limited to) weather, scratches, dents, rust, accidents, unlawful vehicle operation, misuse, abuse, neglect, theft, unauthorized modifications, or unauthorized repair. No warranty is given for defects resulting in incorrect assembly, incorrect installation onto the vehicle, installation on a "no fit" vehicle, incorrect attachment of bicycles onto the rack, or overloading of the rack's weight restrictions. This warranty terminates if the original retail purchaser transfers the product to any other person.

If a product is believed to be defective, the original retail purchaser should contact either the original retailer or Hollywood Racks directly at 800-747-4085 or at info@hollywoodracks.com

Disclaimer of Liability: Repair or replacement of a defective product or the issuance of a refund or credit (as determined by Hollywood Racks) is a purchaser's exclusive remedy under this warranty. Damage to a purchaser's vehicle, cargo, bicycles and or to any other person is excluded. This warranty is expressly made in lieu of any and all other express warranties, whether oral or written. Hollywood Racks shall not be liable for any direct, indirect, consequential, incidental, special, punitive or any other damages in connection with the purchase, use or handling of this product.

Some states do not allow the exclusion or limitation of consequential or incidental damages and the above limitation may not apply to you. This warranty gives you specific legal rights and you have other rights, which vary from state to state.

HOLLYWOOD RACKS 12812 S. Spring Street Los Angeles, CA 90061

800-747-4085 info@hollywoodracks.com www.hollywoodracks.com

Customer Service: 8:00 AM to 3:00 PST Monday – Friday Made in Taiwan 022008 Rev A