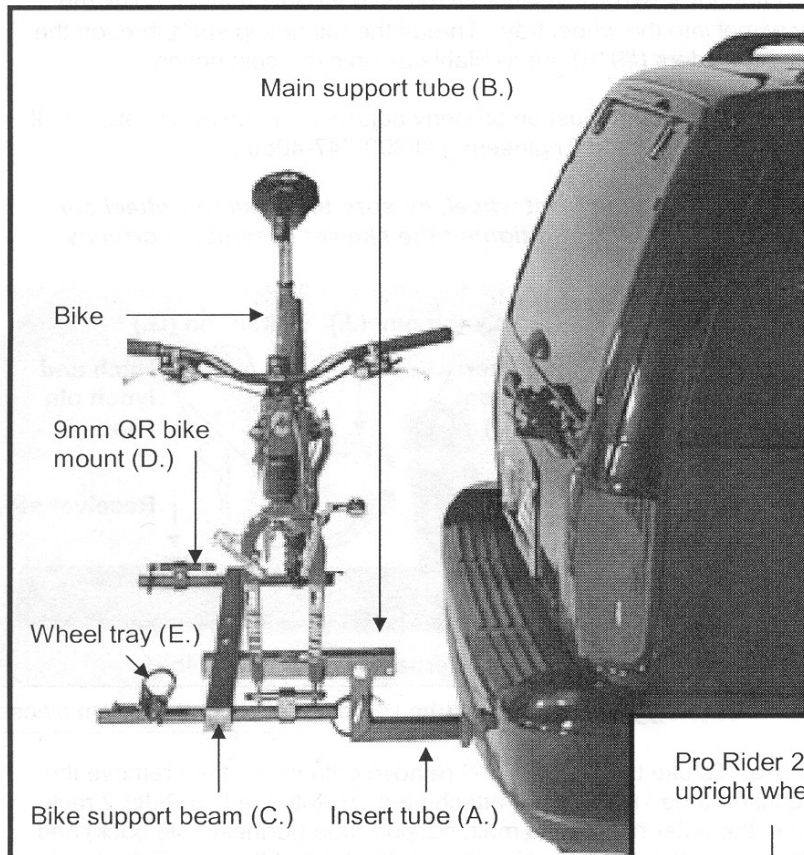


HOLLYWOOD RACKS

Assembly and installation instructions for Hollywood "Pro Rider 2" bike rack,
Models HR570 (for 1-1/4" receiver, and HR575 (2" receiver))

- **Warning: This Product is NOT to be used on any Trailer.**
- **Drive slowly when using this rack on bumpy and / or dirt roads.**
- **Check the rack, bikes and straps regularly during use.**



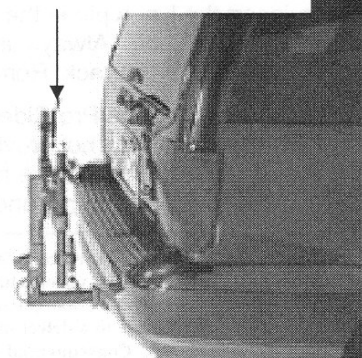
Tools required: Two (2) 6" adjustable wrenches or equivalent. Open the shipping carton and lay the contents out in front of you.

You should have the following:

List of Materials:

- A. Insert tube assembly
- B. Main support tube
- C. Bike support beam
- D. 9mm QR bike mounts (2)
- E. Wheel trays w/straps (2)
- F. Allen wrench
- G. Hitch pin and hitch pin clip
- H. 1/2" pivot bolt
- 1/2" self locking nut
- 1/2" flat washers (2)
- I. 3/8" x 2-1/2" bolt (2)
- 3/8" self-locking nut (2)
- 3/8" flat washers (4)
- J. 1/2" Lynch pin and clip

Pro Rider 2 may be folded upright when not in use.



Assembly:

Use your vehicle's trailer hitch (receiver) for assembly.

1. Install insert tube A into your vehicle's hitch. Align the threaded hole of the insert tube with the hole in your receiver tube. Insert and tighten threaded hitch pin. Install either the clip (provided) through the hole on the hitch pin or a padlock (not provided).

2. Place main support tube (B.) over the insert tube assembly (A.), lining up the upper and lower holes in both parts. Place the 1/2" x 2-1/2" bolt, washers (one per side) and nut (H.) through upper set of holes. Tighten securely. Install non-threaded lynch pin (J.) through the lower set of holes, and secure it by placing the lynch pin clip through the hole in the end of the lynch pin.

3. Place the bike support beam (C.) on the main support beam (B.) lining up the holes, and securing with the 3/8" bolts, nuts and washers provided (I.). Tighten securely.

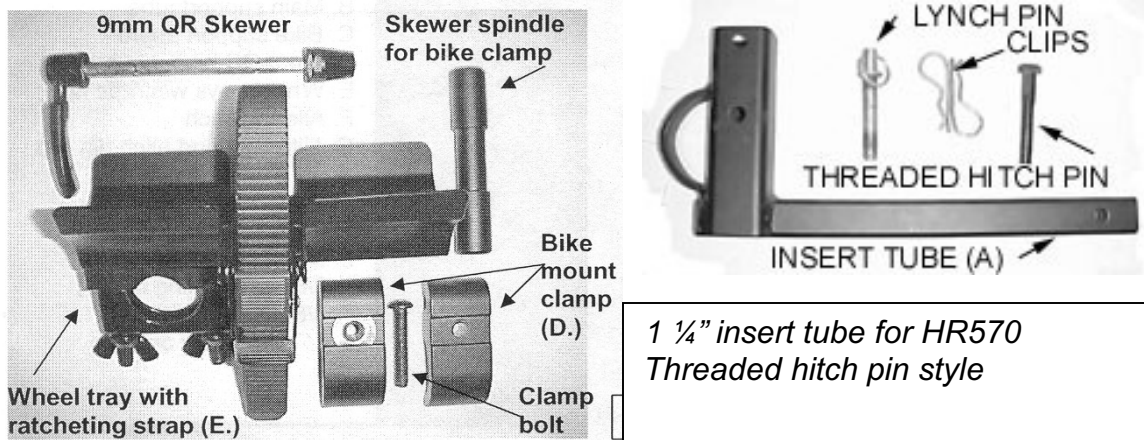
4. Install the 9mm quick release (QR) bike mounts (D.) and the wheel trays (E.) at the ends of the bike support beams (as shown in the photo) so that the two bikes will face in opposite directions. Tighten securely, using Allen wrench provided. Please note that for wheelbase adjustments (depending on the bikes being carried) the bike mounts may be rotated in front, behind, or directly on top of the bike support tubes. In the same way, the wheel trays can be mounted with the long part of the tray to the inside (for short wheelbase bikes), or the outside (for long wheelbase bikes) of the bike support tubes.

Mounting the bicycles on the rack:

Remove the bicycle's front wheel and place the first bike on the rack, locating the bike's fork into the quick release bike mount (D.). Adjust the quick release skewer on the bike mount so that it holds the bike securely. Mount the bike's rear wheel into the wheel tray. Thread the ratcheting strap through the buckle and close latch tight. Front wheel holders (#916) are available as an extra cost option.

Note: The ratcheting strap and the 9mm bike mount must be properly adjusted for correct installation. If you have a question see your dealer or call Hollywood Engineering at 800-747-4085.

Reinstalling the front wheel: When reinstalling the front wheel, be sure to install the wheel correctly per your bicycle manufacturers instructions and tighten the skewer assembly correctly!



1 1/4" insert tube for HR570
Threaded hitch pin style

Using the Tilt-up / Fold down Feature: To use this feature, first remove both bikes, then remove the lynch pin from the bottom hole of the insert tube / main beam attachment. Rotate the Pro Rider 2 rack upwards, then re-insert the lynch pin in the outer hole of the main support tube (furthest hole back) and the lower hole of the insert tube. Always use the lynch pin clip through the hole at the end of the lynch pin to secure the lynch pin to the rack. Remove lynch pin to tilt rack down for luggage area access.

Bicycle and Rack security: The Pro Rider 2 features a welded on lock ring on the main support tube. Use a security cable and padlock (not provided) to lock the bikes to the rack. To lock the rack to the vehicle, either use a 1/4" padlock through the hole at the end of the hitch pin, or use a locking hitch pin (not provided). Please see locking hitch pin and cable set under "security" button on the Hollywood web site.

Limited One Year Warranty: This rack is warranted for a period of one year against defects in materials and workmanship, effective from the date of purchase to the original purchaser. The manufacturer will repair or replace any defective parts due to materials or workmanship. The manufacturer of this product shall not extend the warranty to 1) Any failure or malfunction of the product do to any changes or modifications to the product; or 2.) Damages not attributable to a defect in materials or workmanship; or 3.) Damages resulting from improper installation on vehicle or attachment of bicycles on rack. **Consequential or Incidental Damages:** The manufacturer shall not be liable for any consequential or incidental damages in connection with the purchase, use or handling of this bike rack. **Purchaser's Rights:** Some states do not allow the exclusion or limitation of consequential or incidental damages and the above limitation may not apply to you. This warranty gives you specific legal rights and you have other rights, which vary from state to state.

Hollywood Engineering Inc.
800-747-4085
www.Hollywoodracks.com
Made in USA

2" Insert tube for HR575 (No wobble system)

