

Hollywood Pro-Rider

Fork mount two bike hitch rack

Assembly and Installation Instructions

For models HR575 (2" Rec.) & HR570 (1 1/4" Rec.)

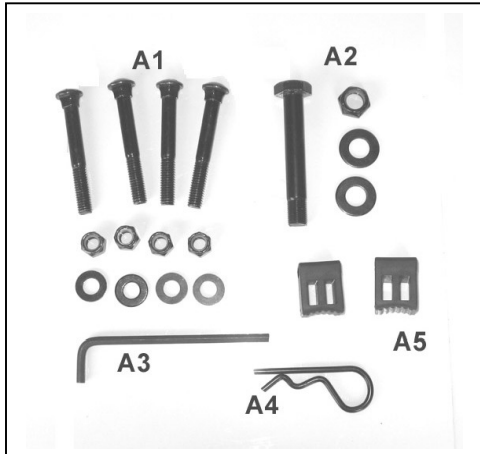
Box Contents:

HOLLYWOOD

R A C K S

Tools Required:

Two 6" adjustable wrenches or equivalent.
4MM hex wrench is included



Hardware Bag Contents:

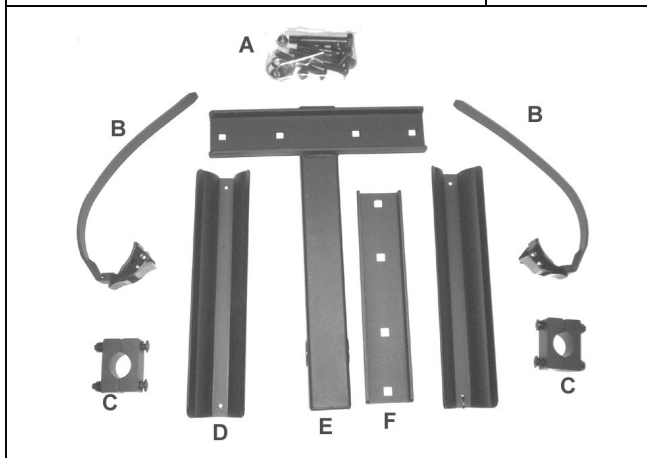
A1: 10mm x 3" carriage bolts with nuts & washers (four each)

A2: 1/2-13 x 3.25" bolt with nut & two washers

A3: 4mm hex wrench for fork mounts

A4: "R" clip for insert tube bolt

A5: Pad for wheel straps



Parts Included:

A: Hardware Bag

B: Wheel Straps (2 each)

C: Wheel Tray clamps (2 each)

D: Wheel Trays

E: Main Beam

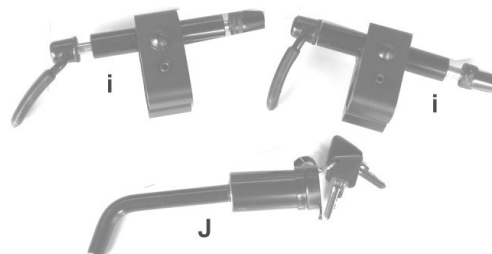
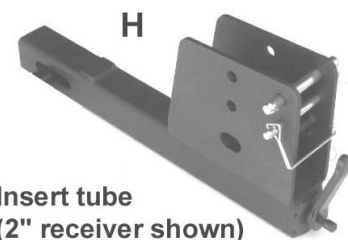
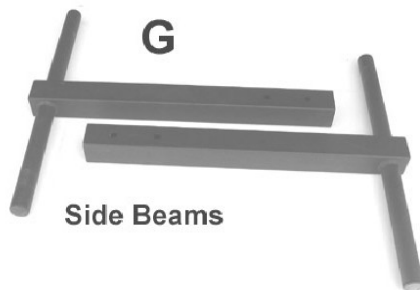
F: Top Plate

G: Side Beams (two each)

H: Insert tube (2" for Model HR575,
1 1/4" for model HR570)

I: 9mm Fork Mounts (two each)

J: Locking hitch pin (5/8" for Model
HR575, 1/2" for model HR570)



Assembly Instructions:

For ease of assembly, we suggest that you use your vehicle's hitch.

1. Install your insert tube H into the hitch. Unlock hitch pin J and insert it through hole in the hitch and the rack. Then tighten the lever H7 on the front of the insert tube so the insert tube will not move during assembly.

2. See Fig. 2 and 3: Gently insert Main Beam E into Insert tube H, aligning holes H3 with E2. The main beam can rest on pin H5. There are two plastic washers (E3) attached to main beam E, please take care not to accidentally knock them off during assembly. Insert bolt A2 with washer through holes, then place washer on end of the bolt and hand tighten nut.

3. Insert pin H6 through holes H4 and E4. Then install R clip A4 through the pin. The main beam will now be in a fixed Horizontal position. Tighten Bolt A2 and nut securely with wrenches.

4. After tightening, remove R clip A4 & Pin H6 and rotate Main Beam E into a folded (vertical) position. Insert pin H6 through holes H2 and E1 to check alignment. Main beam should be able to rotate easily, but not be too loose.

5. Remove pin H6 and rotate main beam back to its horizontal position to continue assembly.

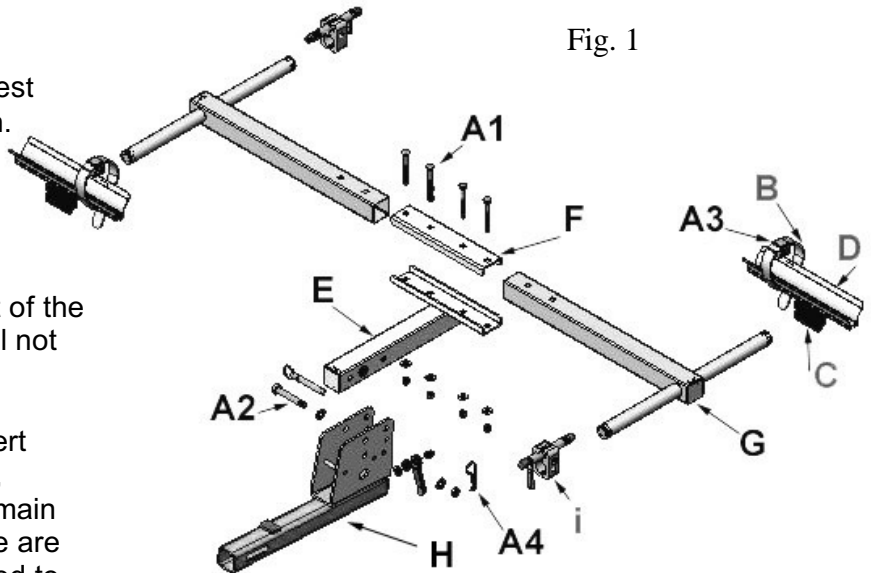
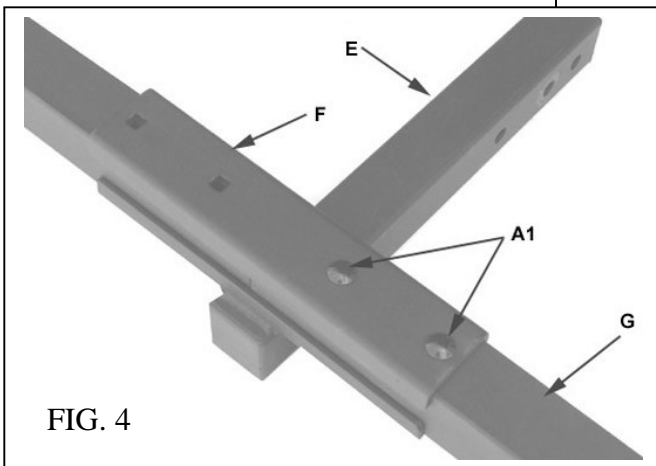


Fig. 1

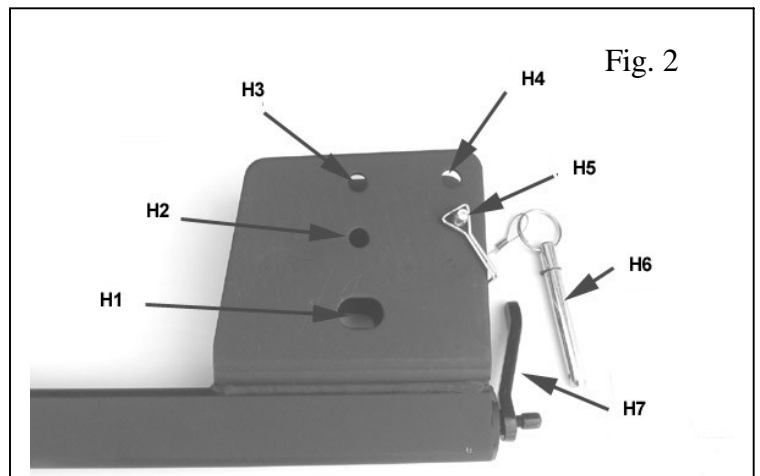


Fig. 2

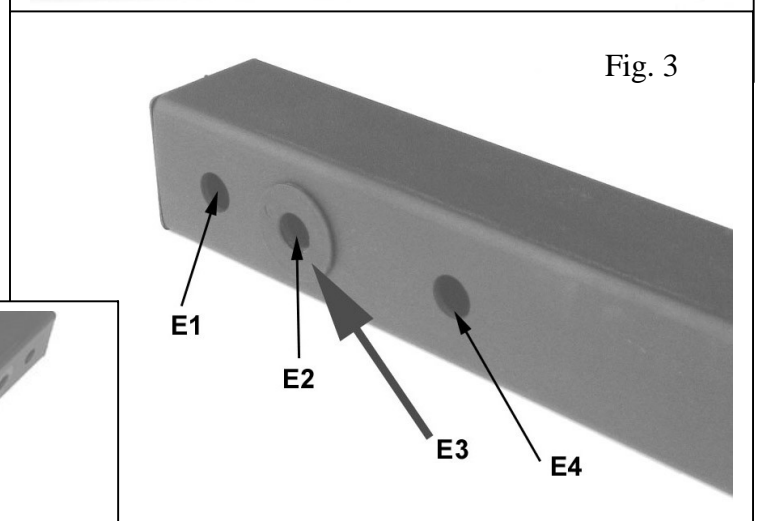


Fig. 3

6. See Fig. 4: Assemble the side beams G to the main beam E using the top plate F and hardware A1. Tighten nuts securely.

7. Wheel tray installation:

See Fig. 5, 6 and 8:

Slide wheel strap B into wheel tray D. Then slide Carriage bolt heads from Clamp C into wheel tray. Now slide the clamps around the 1 ¼" tube of the side beams. Note that the wheel strap should be located between the cable tie and the 1 ¼" tube. Position the wheel strap so the red button is facing outward.

For most bikes, the wheel strap should be "inside" of the 1 ¼" tube. If you have a long wheel base bike (greater than 45"), then you may have to position the straps on the outside of the tube. Be sure the strap is always between the cable tie and tube. Tighten carriage bolts.

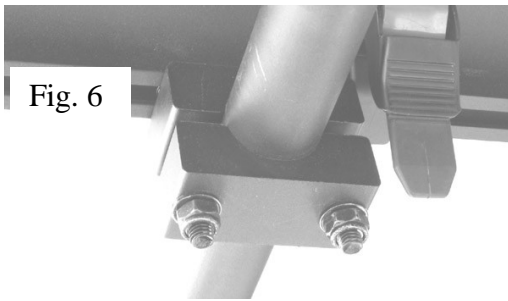
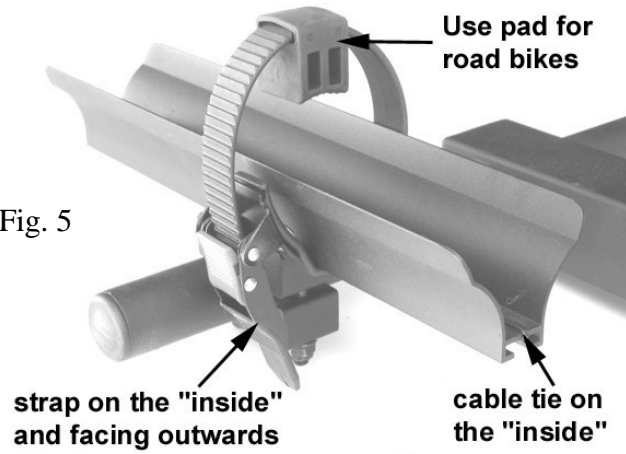


Fig. 6

Fig. 5



8. Fork mount installation

See fig. 7 and 8:

Slide fork mount onto the other 1 ¼" tube. Use the 4mm hex wrench To tighten main bolt. After installing bikes and deciding on final position of the fork mount, tighten set screw with 4mm wrench.

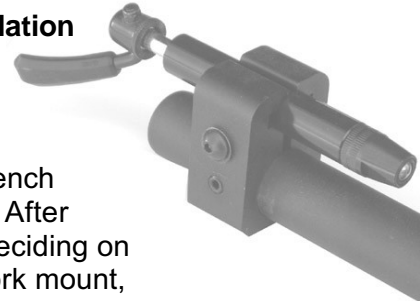


Fig. 7

9. Fold up feature: To fold up the main beam, remove R clip and remove pin H6. Rotate main beam upward and reinstall pin and clip. See fig. 9



Fig. 9

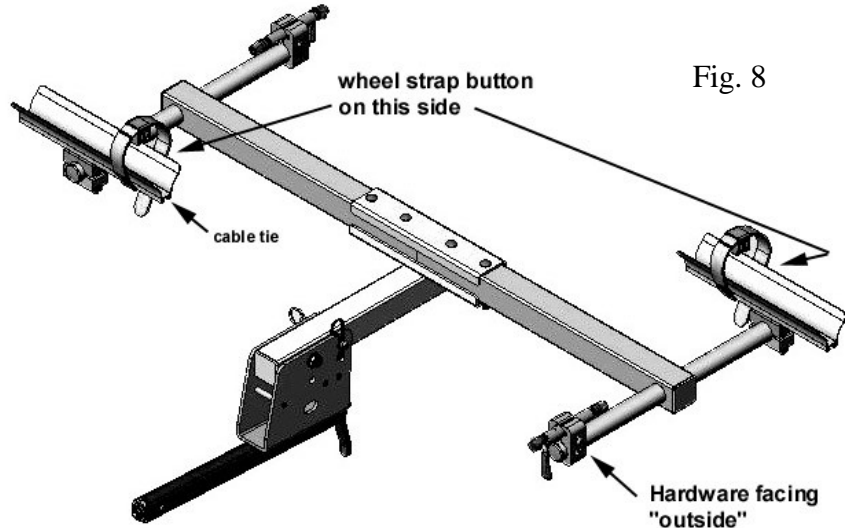


Fig. 8

10. Tilt –Down Feature:

Please refer to fig. 2 and 10: Remove 3/8" dia pin (H5) from Insert tube bracket and gently lower the main beam down so it is resting on the welded stop.



Fig. 10

Fig.10

11. Locking features: see fig. 2

To lock bikes to rack, obtain a locking bike cable (available through Hollywood Racks). Wrap Through wheels and frame and through slot H1 on the insert tube bracket. The Prorider comes with a locking hitch pin to lock rack to vehicle.

12. Installing the rack in the hitch: Slide the insert tube into the receiver. Align the hole or slot on the insert tube with the holes on the receiver hitch. Insert the locking hitch pin through the holes, and install the locking end to the pin. Tighten the lever H7 on the front of the insert tube until the slack or wobble has been taken out of the insert tube and receiver.

13. Mounting bikes on the rack:

Remove the bicycle's front wheel and place the first bike on the rack, locating the bike's fork onto the quick release skewer portion of the fork mount. Adjust the quick release skewer on the fork mount so that it holds the bike securely. Mount the bike's rear wheel into the wheel tray. Thread the ratcheting wheel strap through the buckle and close the latch tight. Repeat for the second bike.

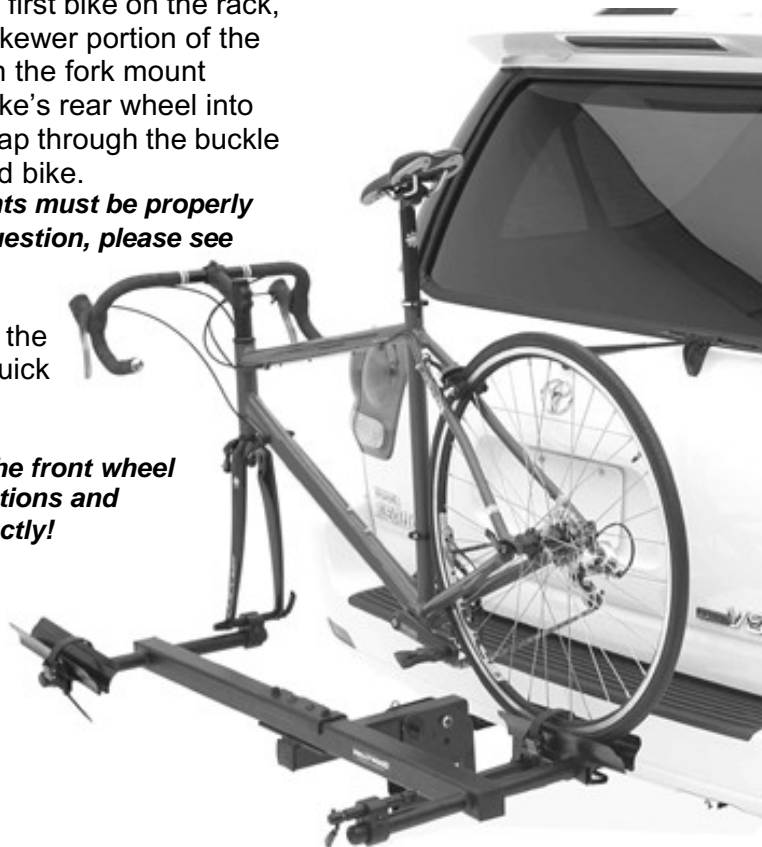
Note: The ratcheting straps and 9mm fork mounts must be properly adjusted for correct installation. If you have a question, please see your dealer or call us at 800-747-4085

To remove the bikes, push in the red button on the buckle and pull out the strap. Then open the quick release lever and remove the bike.

Reinstalling the front wheel: Be sure to install the front wheel correctly per your bicycle manufacturers instructions and Tighten the skewer assembly securely and correctly!

WARNING:

- This product is not to be used on any trailer or towed vehicle.
- Drive slowly when using this rack on bumpy and/or dirt roads
- Check the rack and bikes regularly during use.



Limited Lifetime Warranty (effective January 1, 2008):

Hollywood Racks will warrant its car racks and accessories during the time that an original retail purchaser owns the product subject to the exclusions and limitations of this warranty. Hollywood Racks will remedy defects in materials and workmanship by repairing or replacing (at its option) a defective part or the complete rack without charge for labor or parts. Hollywood Racks may elect (at its option) to issue a refund equal to the purchase price paid for the product.

This warranty does not cover problems caused by normal wear and tear including (but not limited to) weather, scratches, dents, rust, accidents, unlawful vehicle operation, misuse, abuse, neglect, theft, unauthorized modifications, or unauthorized repair. No warranty is given for defects resulting in incorrect assembly, incorrect installation onto the vehicle, installation on a "no fit" vehicle, incorrect attachment of bicycles onto the rack, or overloading of the rack's weight restrictions. This warranty terminates if the original retail purchaser transfers the product to any other person.

If a product is believed to be defective, the original retail purchaser should contact either the original retailer or Hollywood Racks directly at 800-747-4085 or at info@hollywoodracks.com

Disclaimer of Liability: Repair or replacement of a defective product or the issuance of a refund or credit (as determined by Hollywood Racks) is a purchaser's exclusive remedy under this warranty. Damage to a purchaser's vehicle, cargo, bicycles and or to any other person is excluded. This warranty is expressly made in lieu of any and all other express warranties, whether oral or written. Hollywood Racks shall not be liable for any direct, indirect, consequential, incidental, special, punitive or any other damages in connection with the purchase, use or handling of this product.

Some states do not allow the exclusion or limitation of consequential or incidental damages and the above limitation may not apply to you. This warranty gives you specific legal rights and you have other rights, which vary from state to state.

HOLLYWOOD RACKS 12812 S. Spring Street Los Angeles, CA 90061

800-747-4085 info@hollywoodracks.com www.hollywoodracks.com

Customer Service: 8:00 AM to 3:00 PST Monday – Friday Made in Taiwan

022008 Rev A