

Model HR150 Tow Ball Rack – 2 Bike Capacity

HOLLYWOOD RACKS

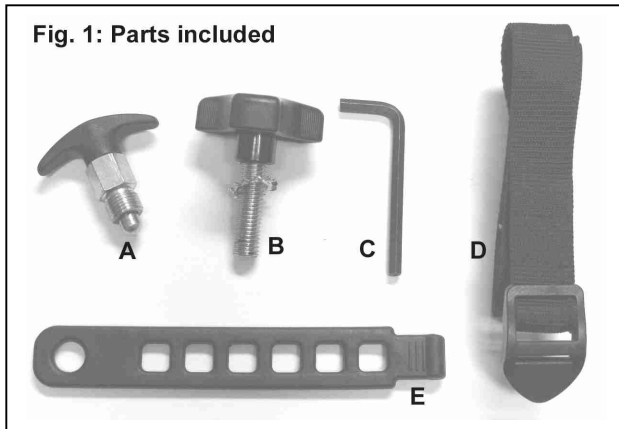
Caution:

Drive slowly when on rough or dirt roads

Always recheck tightness of knobs and straps

Maximum weight on rack is 35 Kg

For use on 50 mm tow balls ONLY



Tools Required: Adjustable wrench or 17mm open end wrench

Parts Included:

- A: Spring Loaded T Handle
- B: Lower Knob with lock washer
- C: 5 mm Allen key for bike cradle adjustment & tightening
- D: Nylon tie down strap with buckle
- E: Four rubber cradle straps

Assembly Procedure:

1. Install Spring Loaded T Handle per Fig. 3
2. Install Lower knob per Fig. 4

Installation of rack onto Tow Ball

1. Unfold rack – but DO NOT push down on center handle
2. Push knob & bracket up per Fig. 5
3. Mount bike carrier on tow ball per Fig. 5a
4. Push down on center handle until it snaps into place per Fig 5b, 5c

Pull up on the plastic handle to check that the pin in the T handle is properly engaged.

5. Rotate bike support arms forward per Fig 5c, 5c
6. Tighten lower knob securely into the round bushing welded to the side of the square tube per Fig. 6

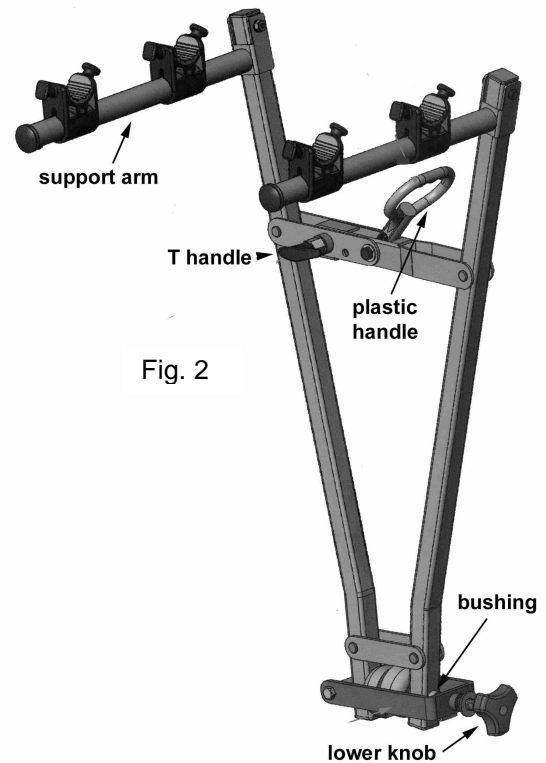


Fig. 3: Install spring-loaded T Handle

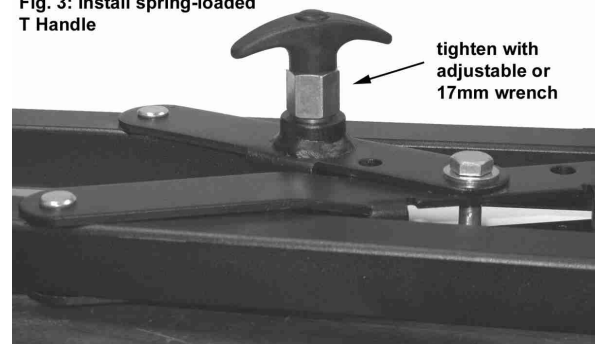
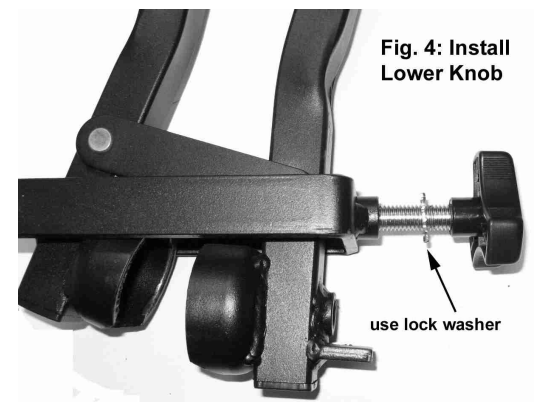
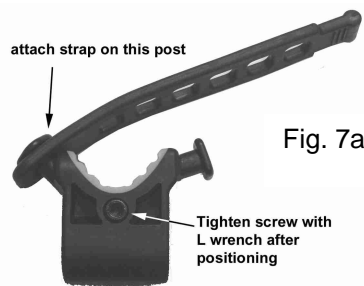
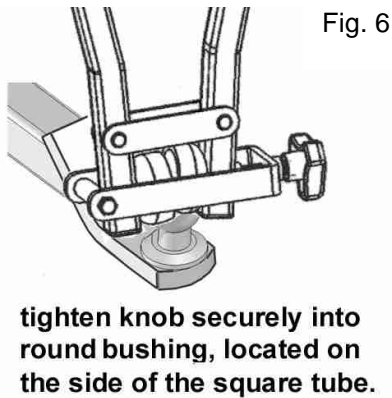
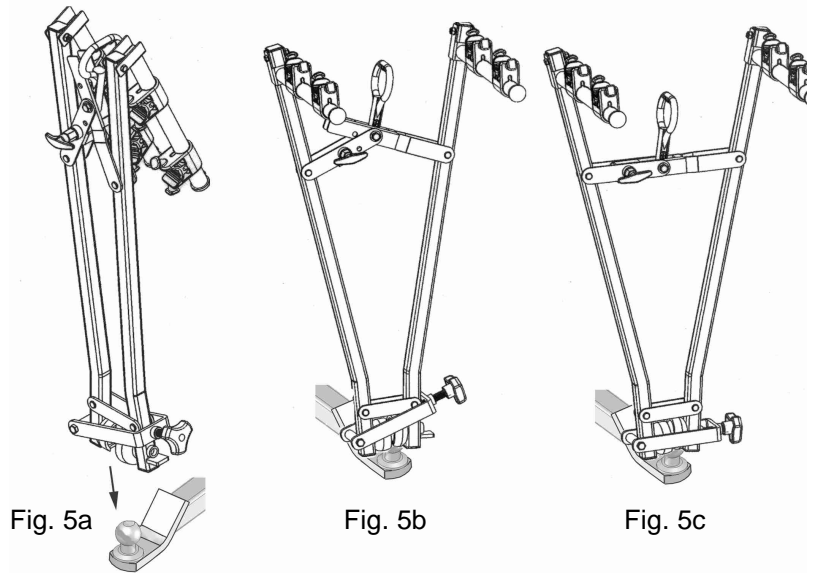
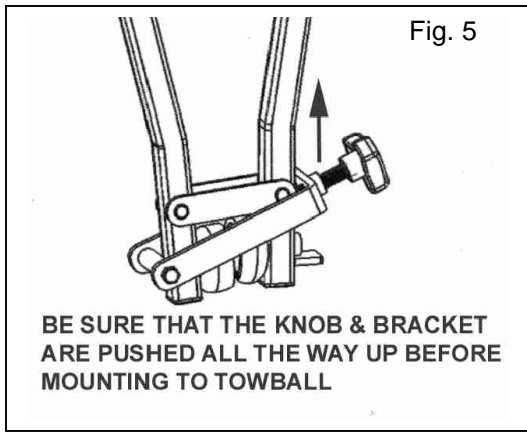


Fig. 4: Install Lower Knob





Installing the bicycles on the rack:

1. Attach the rubber straps to the cradle and adjust cradle position as shown in Fig. 7a using 5mm Allen key
2. Place the heaviest bike onto the rack first (closest to the vehicle), putting the bike's top tube into the bike cradles. Pull the rubber strap across the bike's frame tube and attach it to the cradle. Repeat for the other cradle. See Fig. 7b Repeat for second bike, but with the handlebars on the opposite side.
3. After both bikes are mounted to the rack, use the nylon tie down strap to secure the bikes to the rear frame of the rack itself.

Removing the rack from the vehicle:

Loosen the knob on the lower section of the rack and move the knob/bracket up per Fig. 5

Pull the spring loaded T handle from center handle, then lift up on the plastic handle to release rack from tow ball.

Rotate the support arms so that they fold flat against the rack, then remove the rack from the tow ball.



Limited One Year Warranty: This rack is warranted for a period of one year against defects in materials and workmanship, effective from the date of purchase to the original purchaser. The manufacturer will repair or replace any defective parts due to materials or workmanship. The manufacturer of this product shall not extend the warranty to 1) Any failure or malfunction of the product due to any modification to the product; or 2.) Damages not attributable to a defect in materials or workmanship; or 3.) Damages resulting from improper installation on the vehicle or attachment of bicycles on rack. **Consequential or Incidental Damages:** The manufacturer shall not be liable for any consequential or incidental damages in connection with the purchase, use or handling of this bike rack. **Purchaser's Rights:** Some states do not allow the exclusion or limitation of consequential or incidental damages and the above limitation may not apply to you. This warranty gives you specific legal rights and you have other rights, which vary from state to state.