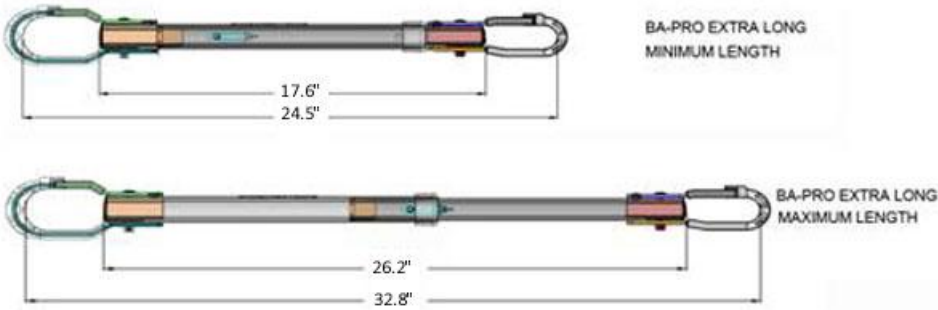
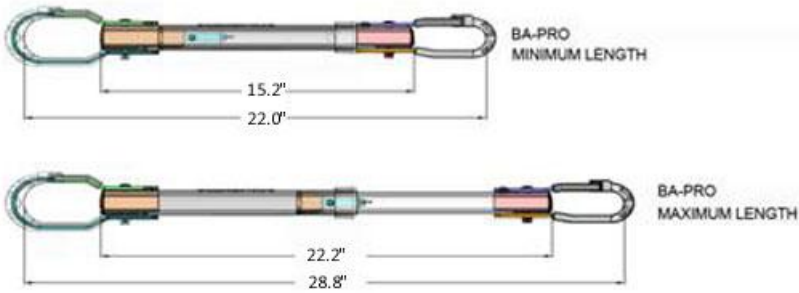


Hollywood Racks Bike Adapter Pro
Bike frame adapter
Model no. BA-PRO (regular length)
and BA-PRO-XL (extra long)



The BA Pro regular length will fit almost all bikes, but if you have a long wheel based bike, check your bike frame's dimensions before purchasing.

Fig. 1

Mounting Instructions:

Depress the brass colored push button on the side of large loop and swing the moveable gate up. Place the open large loop around the handlebar stem or head tube of the bike, then close the gate down until it "clicks" into the closed position. (Fig 2.)

Stretch the telescoping tube open and repeat this process using the small loop end of the bar for the seat post tube. Be sure the gate "clicks" into closed position. (Figs 3, 4)

Note: When opening the telescoping tubes to fit your bike frame, do not exceed the "MAX" indicator line or brass stop pin button.

To remove the Bike Adapter Pro, reverse the above steps.



Hollywood Racks Los Angeles, CA
 310-516-8600 800-747-4085 www.hollywoodracks.com
 Made in Taiwan